

## T-8000A controller instructions



### 1. T-8000A System features

- 1、 32—256 Gray level,Support software Gamma correction。
- 2、 Support the rules and special-shaped handle.
- 3、 Eight--port output,every port can support 512-1024 pixels。
- 4、 Offline (SD Card) control ,can be multiple controllers used in combination, play back content stored in the SD card.
- 5、 Compatible with single and dual IC, if you control a single line IC LED lights, without being connected to the CLK line.
- 6、 New T-8000A have a screen, The controller can be encrypted to limit the times of use.

**NOTE:** 1. When T-8000A controller control less than 512 lamps the frame rate can reach 30fps. When T-1000 controls more than 512 lamps and less than 1024 lamps the frame rate will slow down automatically.

2. In the 2012 production version of the T-8000A to add a Chinese flag on the surface, you must use the new software.

## 2. Support chips:

Chip type	Software code & Controller type	Lamps/(MA pixels	Note
LPD6803,D705,1101,6909, 6912	T-8000-6803	8192	
LPD8806,LPD8809	T-8000-8806	8192	
TM1803,TM1804,TM1809,T M1812	T-8000-TM	8192	TM1804 and TM1809 are divided into high speed and low speed
TM1903,TM1904,TM1909,T M1912	T-8000-TM19	8192	
UCS6909,UCS6912,UCS700 9,UCS5903	T-8000-UCS-32	8192	
UCS1903,UCS1909,UCS191 2	T-8000-UCS-256	8192	divided into high speed and low speed
UCS3903	T-8000-UCS-1024	8192	
DMX512	T-8000-DMX	1360/4096	Compatible with standard DMX512
WS2801,WS2803	T-8000-WS	8192	
WS2811	T-8000-WS2811	8192	divided into high speed and low speed
DS189	T-8000-DS189	8192	
TLS3001,TLS3002,TLS3008	T-8000-TLS	----	
P9813	T-8000-P9813	8192	
SM16715	T-8000-SM16715	8192	divided into high speed and low speed
SM16716	T-8000-SM16716	8192	
BS0901,BS0902	T-8000-0901	8192	
BS0815	T-8000-0815	8192	

### 3. Appearance picture



Picture 1



Picture 2

### 4. The meaning of flag

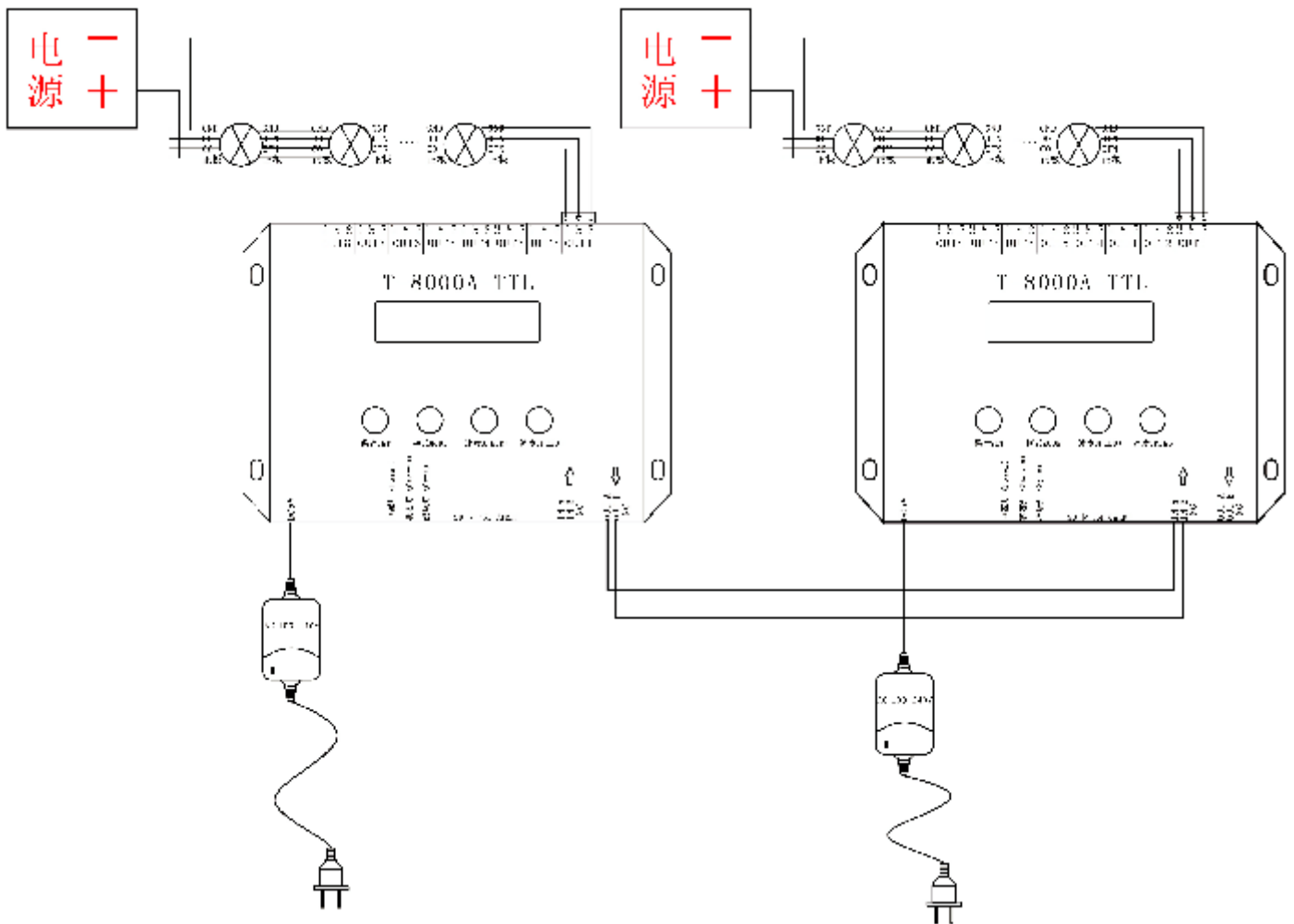
Button	Meaning	
SET	Save your adjust	
MODE	Switch effect file	
SPEED+	Turn up speed	Press the speed adjustment button the file will in turn play.
SPEED-	Turn down	

DC5V	Power input
POWER	Power light
ERROR	Error indicator
SD 卡/SD CARD	SD card slot

CLK	Clock line
DAT	Data line
GND	Ground wire

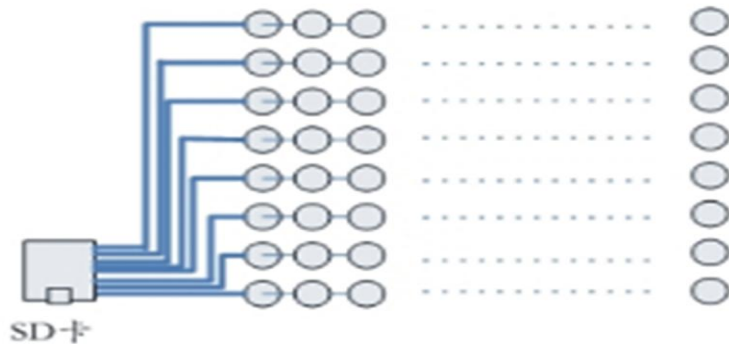
**NOTE:** For the TTL(SPI) signal, the controller signal ground must connect to the LED ground wire directly.

## 5. Sample Connection



### NOTE:

1. If the distance between controller and lamps more than 50m we suggest using differential signal transmission control or Photoelectric isolated signal transmission control, please read the manual carefully. Signal lines must be a cable, the best is Super five kinds of cable.



## 6. File saving:

Rules for naming files (Use of multiple controllers at the same time):

### The name of the file on the first controller

“00\_1.led” -----the first effect file

“01\_1.led” -----the second effect file

“02\_1.led” -----the third effect file

.....

“15\_1.led” -----the fifteenth effect file

### The name of the file on the second controller:

“00\_1.led” -----the first effect file

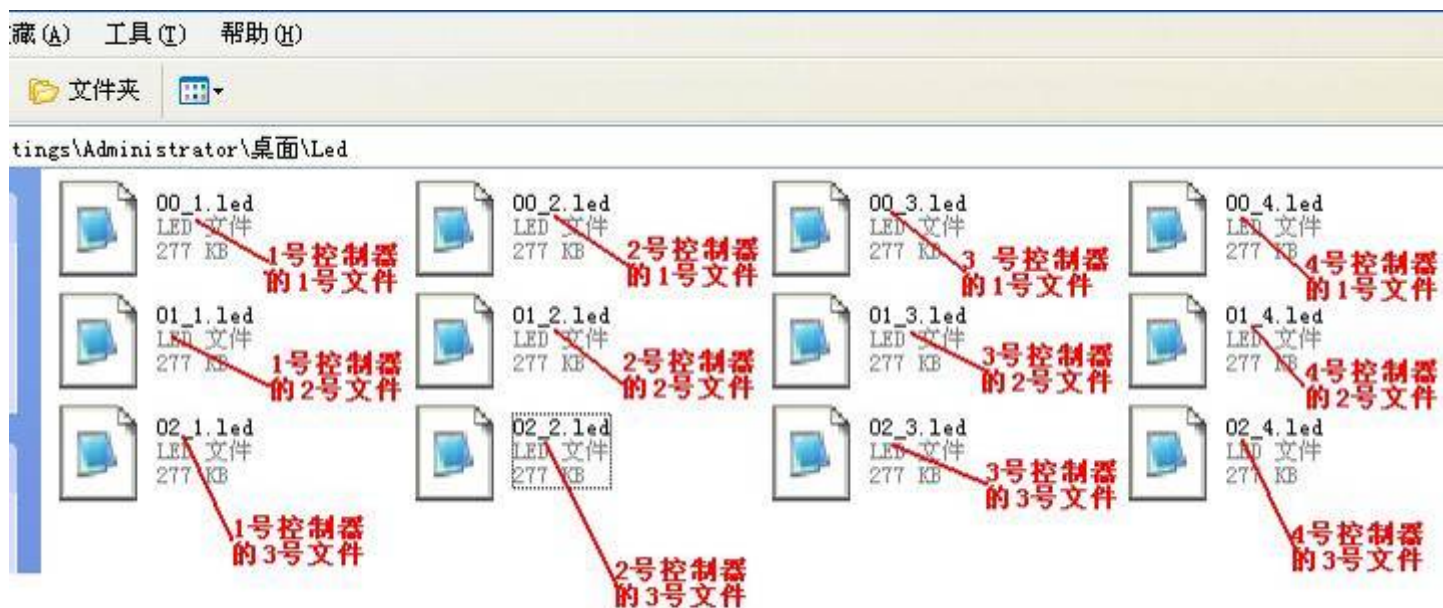
“01\_1.led” -----the second effect file

“02\_1.led” -----the third effect file

“15\_1.led” -----the fifteenth effect file

.....

## For example



## 7. Specific parameters:

### Memory card:

**type:** SD card (suggest using high-speed SD card)

**Capacity:** 128MB—2GB

**Format:** FAT

**Store file Format:** \*.led

### Physical parameters:

Working temperature : -30°C—85°C

Working voltage: DC5V

Working power: 3W

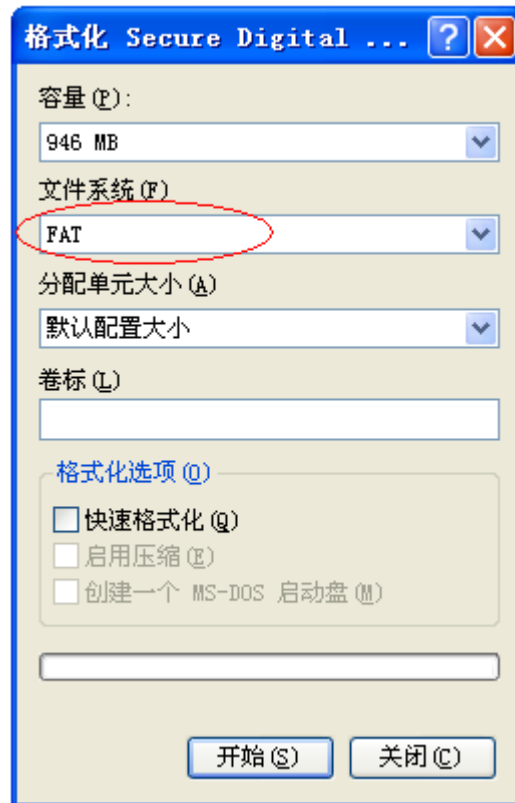
Size: L200mm×W170mm×H50mm

Weight: 1.5KG

Signal port: 3pin connect port

### NOTE:

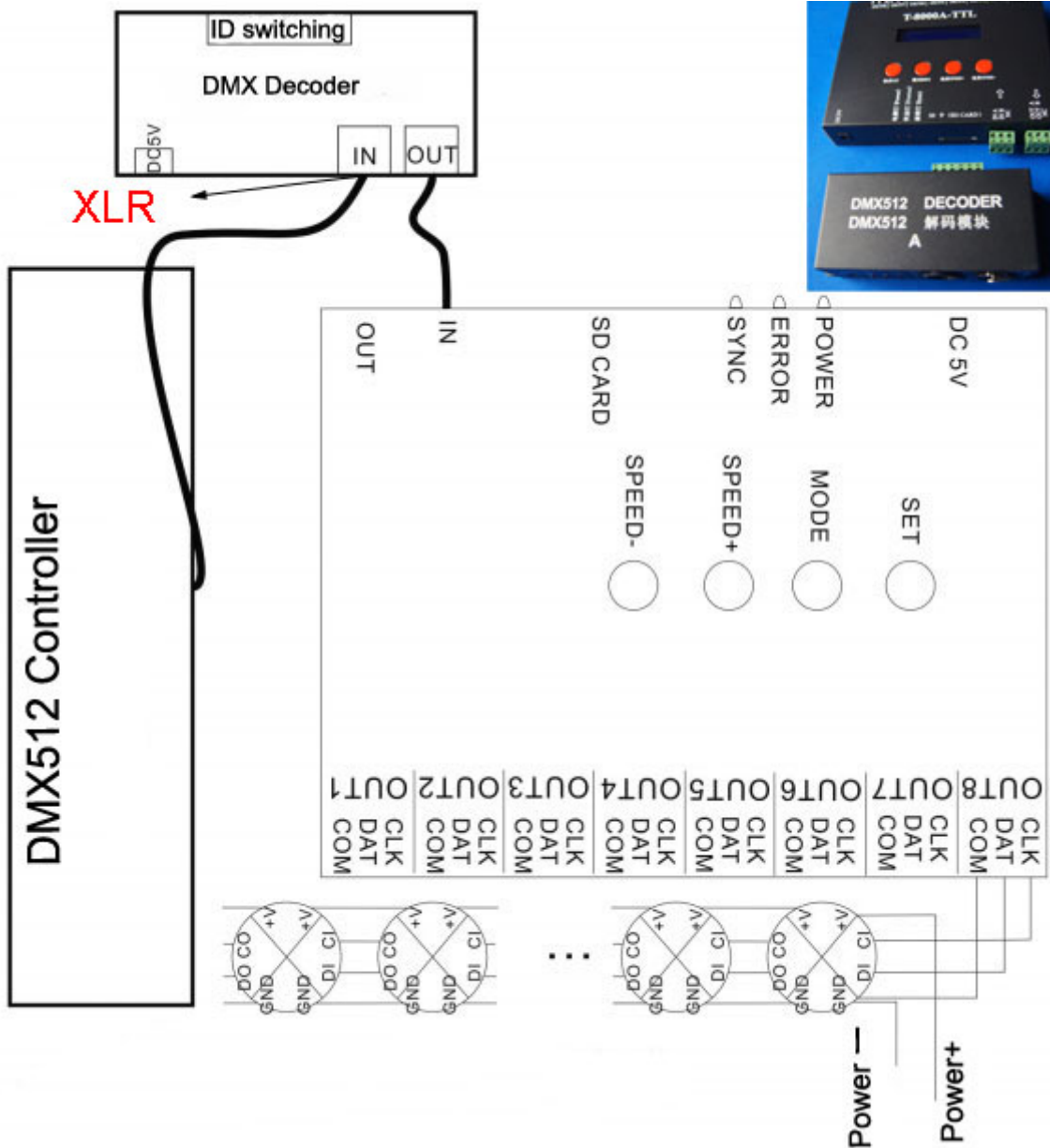
Before copy files to SD card ,The SD card must be formatted as FAT format.



The SD card in controller can not be hot-swappable, plug the SD card every time, you must first disconnect the power supply

## DMX512 console to control 8000A solution:

To adjust Speed / modes via console.



## 9. Trouble shooting:

**Question 1:** After power, the T-8000A ERROR indicator has been flashing without display output

**answer:** The ERROR indicator has been flashing means the controller did not read the card correctly, possible problems:

- ①SD card is empty, with no effect file.
- ②The effect file in the SD card and the controller model are not match, please choose correct controller model in LedEdit and then re-create the effect file \*.led.
- ③SD card did not format to FAT before copy effect files.
- ④Please check the supply power voltage, the controller can be individually powered to exclude power reasons
- ⑤Changing the SD card and then test to exclude the possibility of a bad SD card

**Question 2:** The controller is powered on, the indicator is normal, but the lamps have no effect change

**Answer:** The reasons for this are as follows:

- ① Check if the lamp's signal line and the controller connected correctly
- ② If the TTL signal is received, the lamp and the controller must be common ground, that means connect the lamp's and the controller's ground wire together
- ③ Check if the model chose during making display files on the SD card match the chips used in the lighting

**Question 3:** Controller and light connected, after. Lamps flicker. Controller indicator to normal.

**Answer:** ①The ground wire is not connected between the controller and lighting.  
②The file in SD card is bad, Chip model does not match with the actual.  
③Insufficient power supply.

**Question 4:** The SD card can not be formatted.

**Answer:** ①First make sure the SD card on the side of the protection switch is already open.  
②SD card reader is broken  
③Do all of this can't deal with the question. Change the SD card tests again.